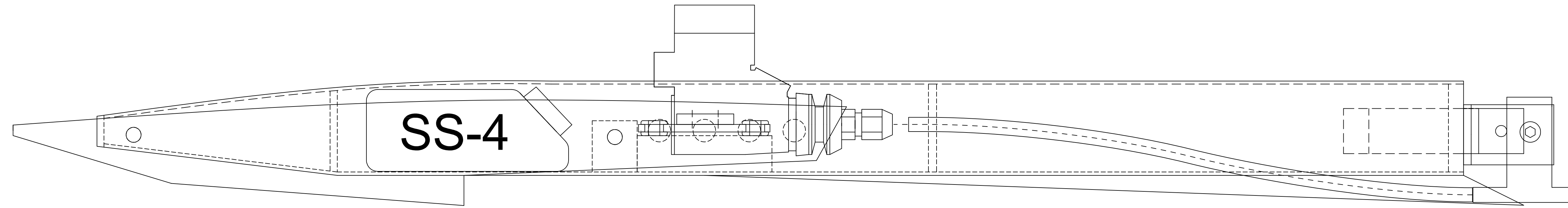
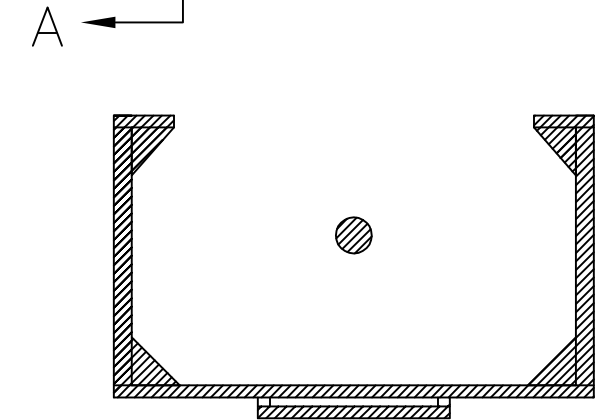
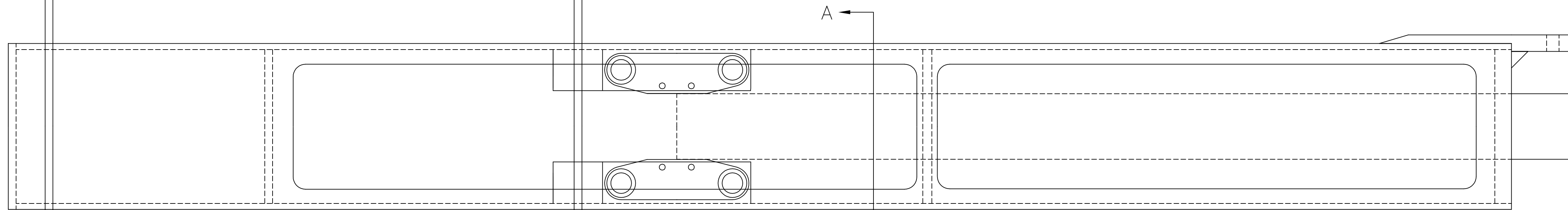
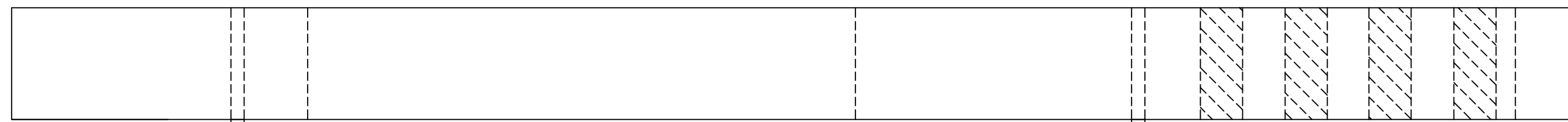


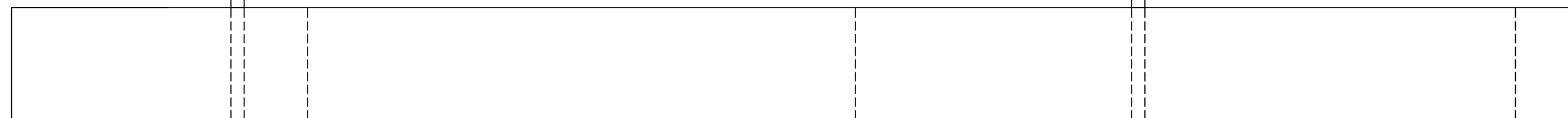
# J.A.E. RACING HULLS JAE 12G




3/8" wooden dowel glued in place for turn fin mount X 4



AA SECTION VIEW  
1/4" TRIANGLE  
HARDWOOD USED IN  
EVERY CORNER



	JAE 12G Hydro (Heat Racing)			
	ASSEMBLED VIEW			
Design by Geraghty, Hall, Zaker, Truex Drawn by David Hall	SIZE	FSCM NO.	DWG NO.	REV
SCALE 1:1				SHEET 2