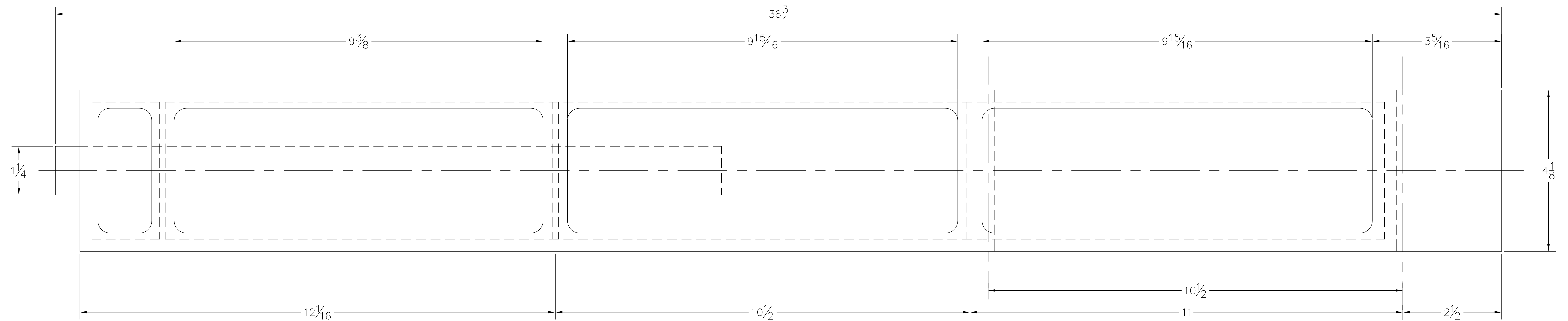
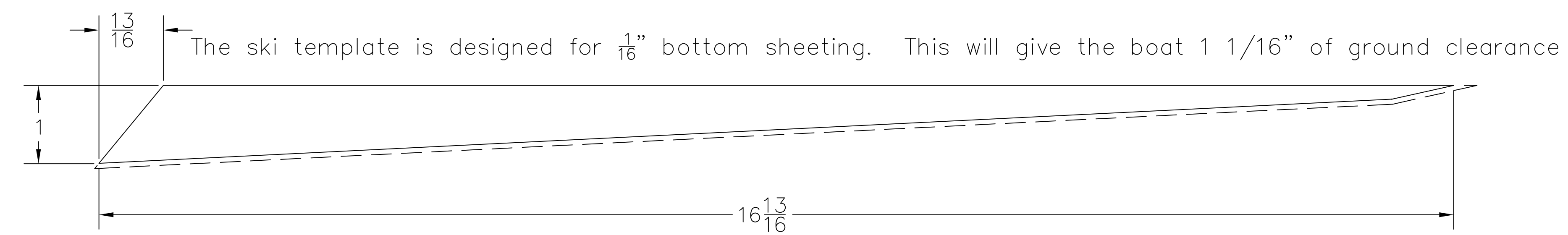
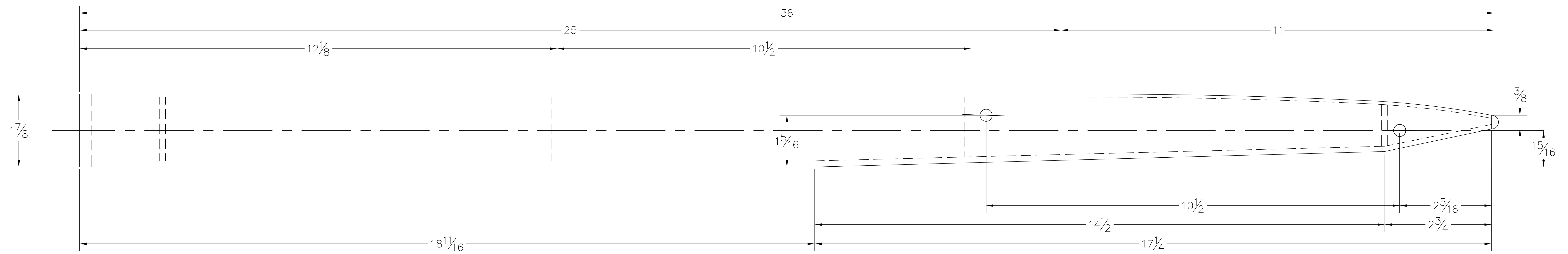



JAE RACING HULLS JAE 91/101HG



Add 1" of overall length to the back half of the tub for a 1.01 cid boat.

	JAE Racing Hulls 91/101HG (Heat Racing)			
	TEMPLATES			
Design by Geraghty, Hall, Zaker, Truex	PLOT SIZE 30x42	FSCM NO.	DWG NO.	REV
Drawn by David Hall	SCALE 1:1	SHEET 2		