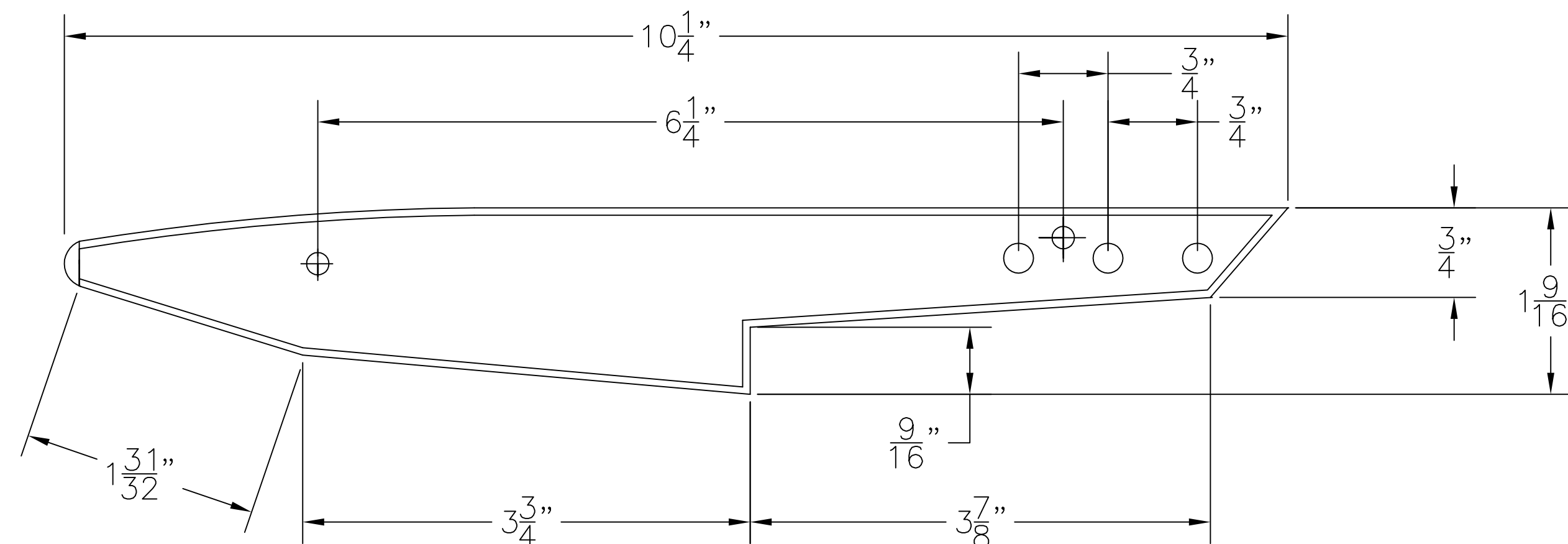
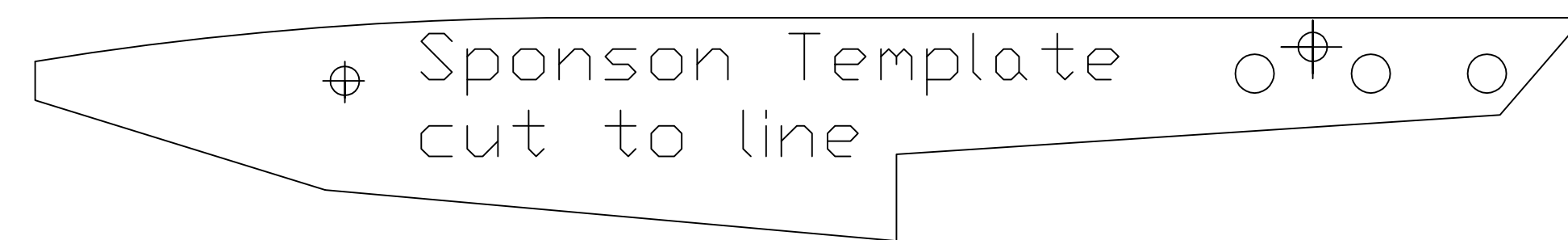
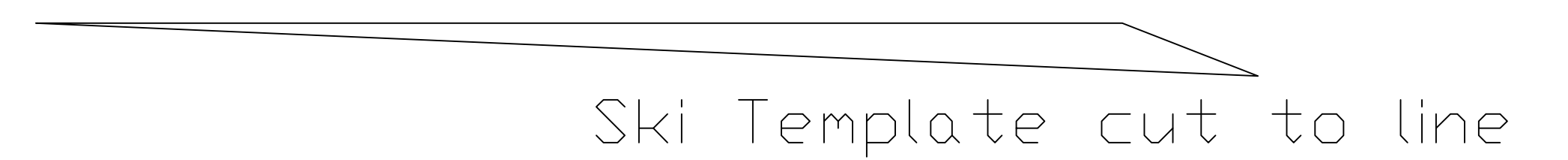
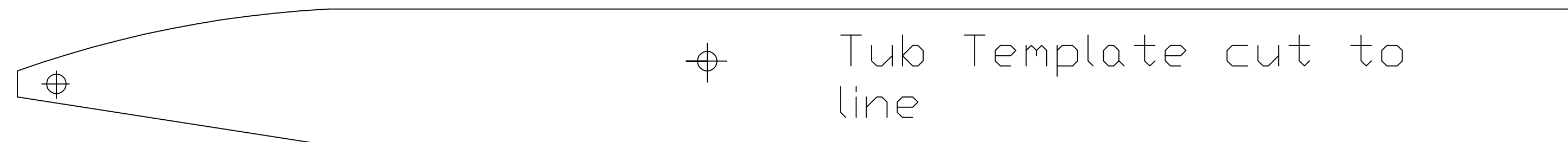
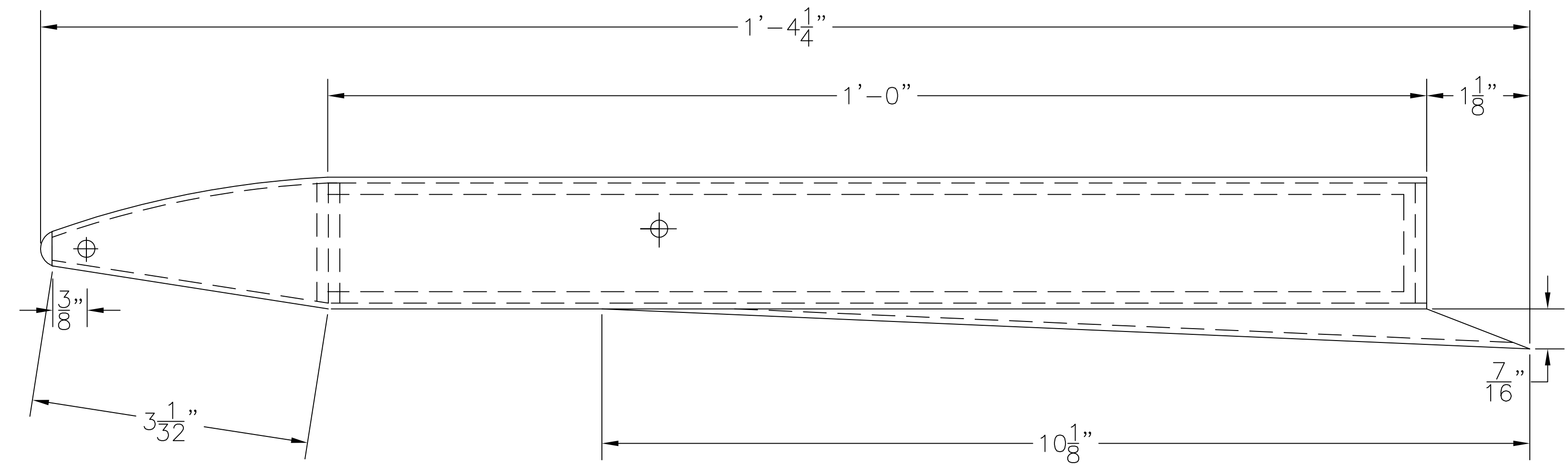


Top Deck Template cut 1/8" wider and longer sand to fit.



	J.A.E. Mini Sprint Hydro Electric			
	TEMPLATES and MEASUREMENTS			
Design by: Geraghty, Hall, Zaker, Truex, Smock	SIZE	FSCM NO.	DWG NO.	REV
Drawn by: David Hall	SCALE 1:1		SHEET 1	