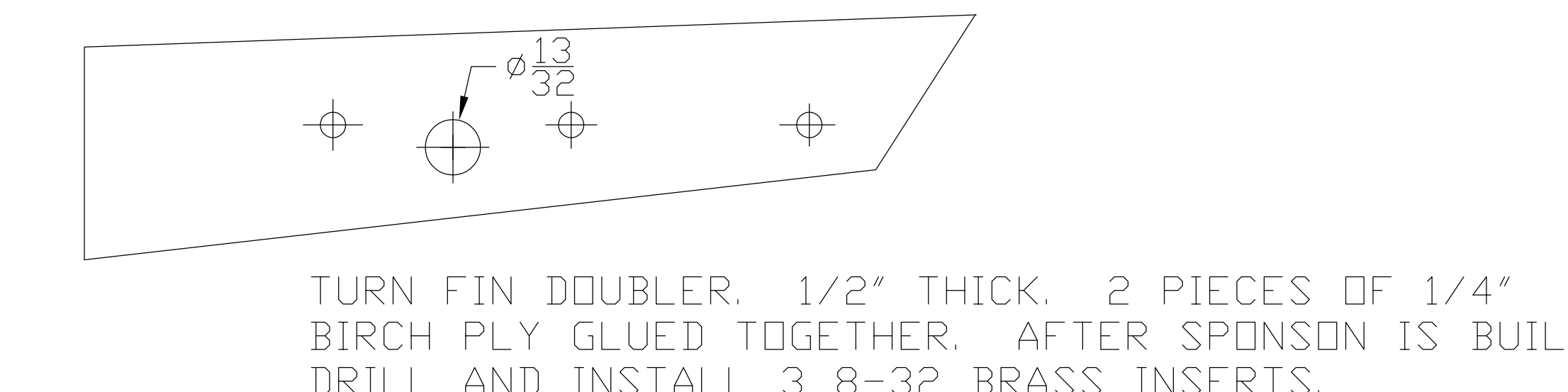
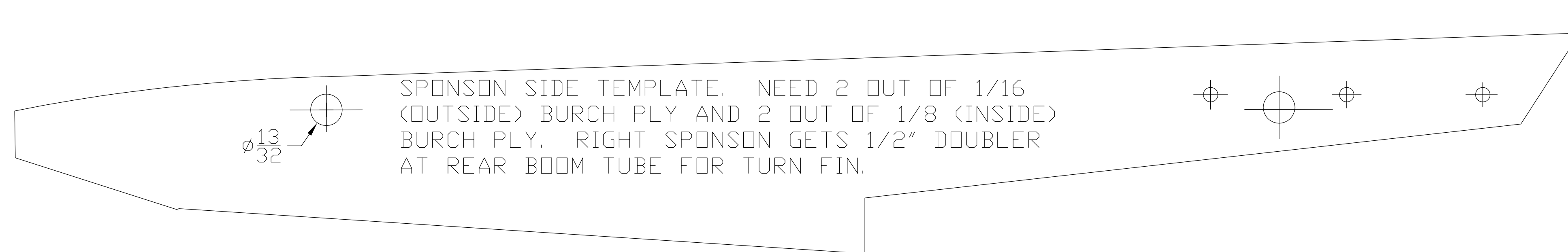
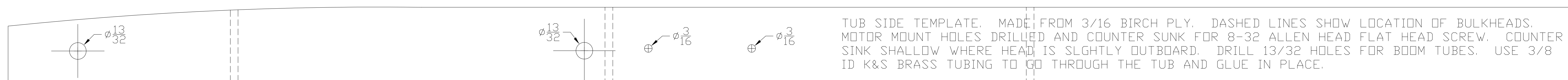
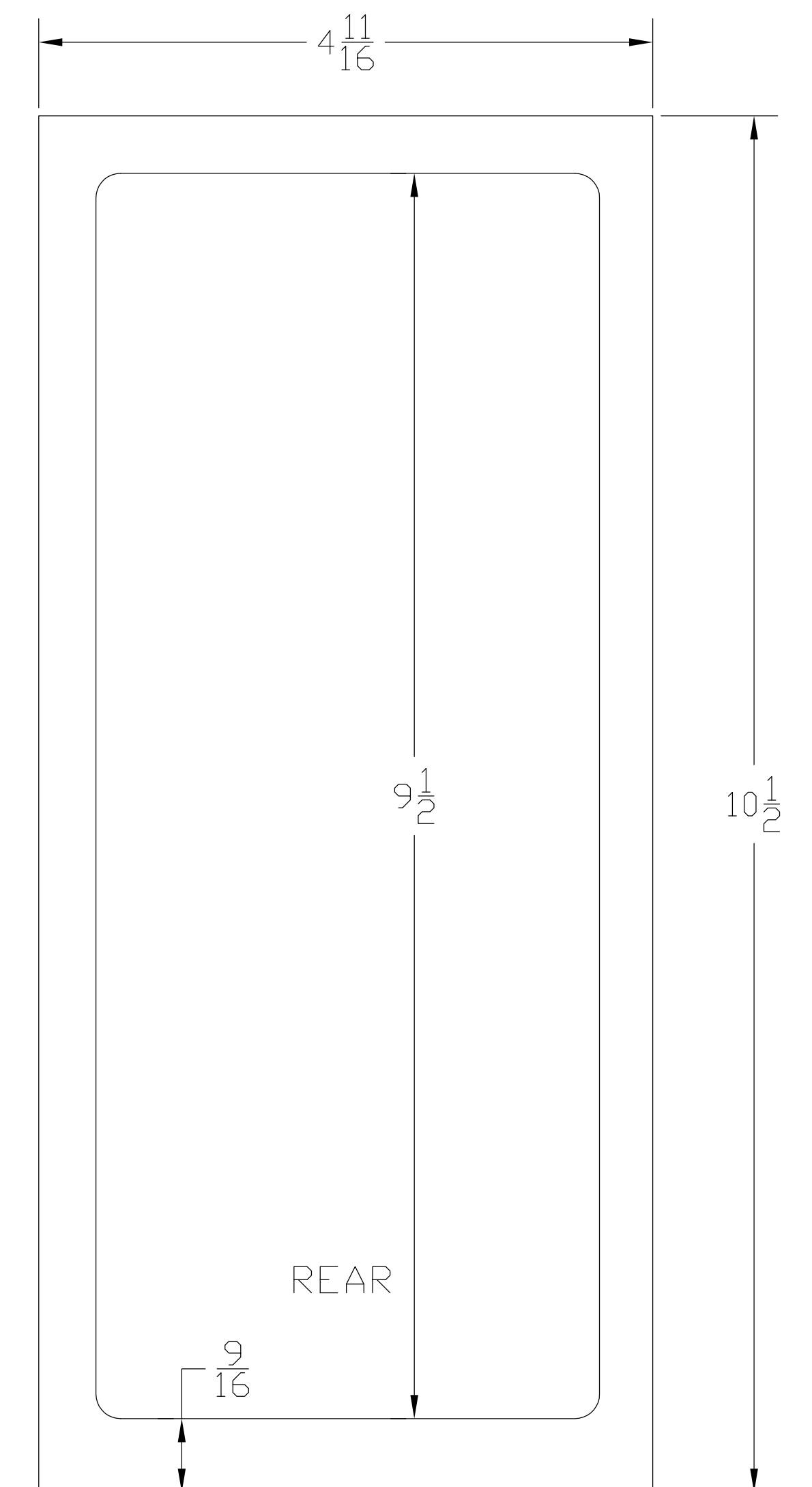
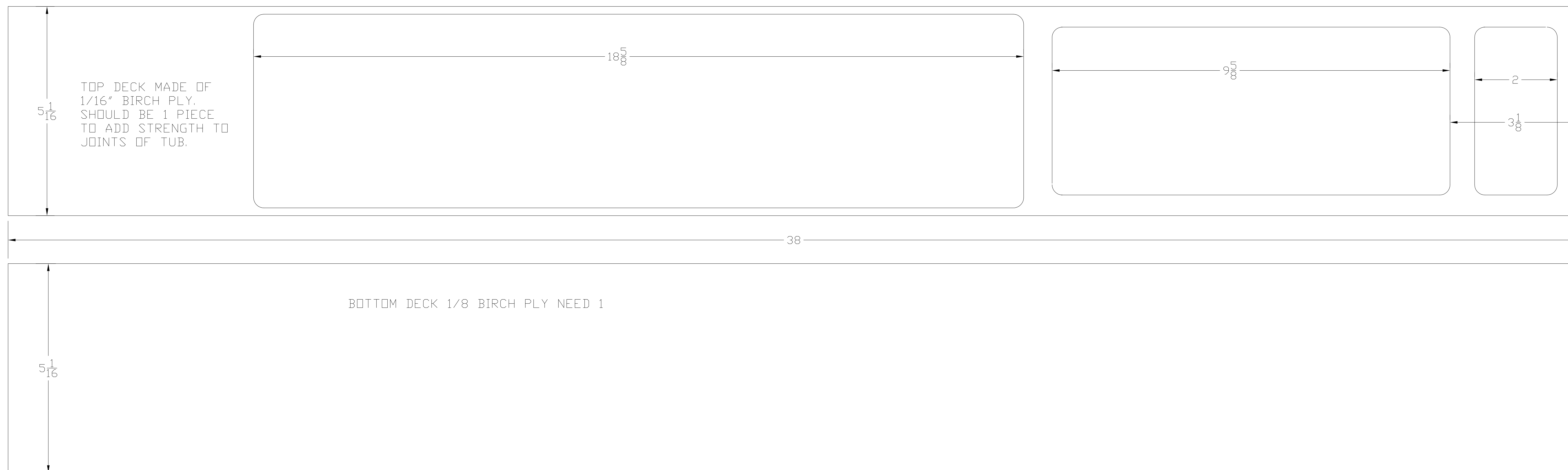
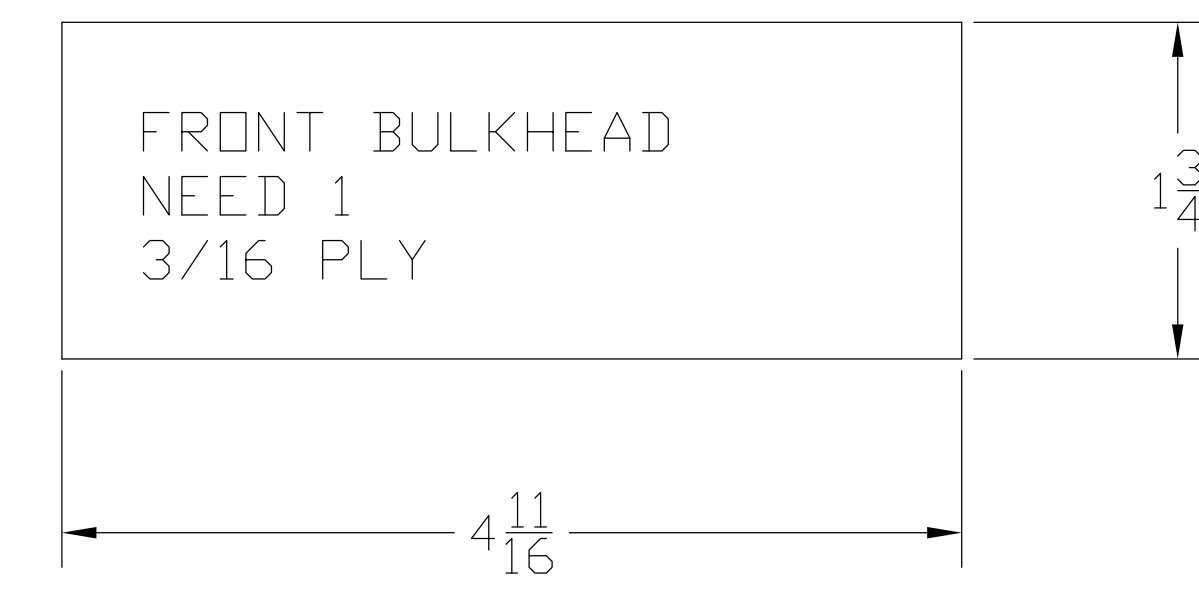
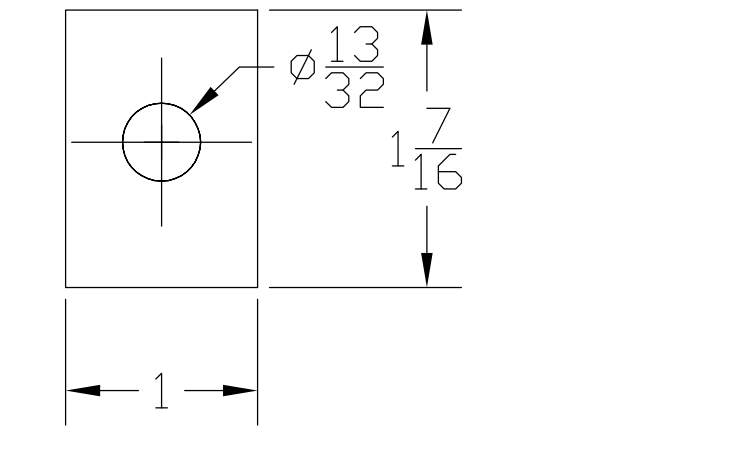


# J.A.E. RACING HULLS *JAE 45 Twin*

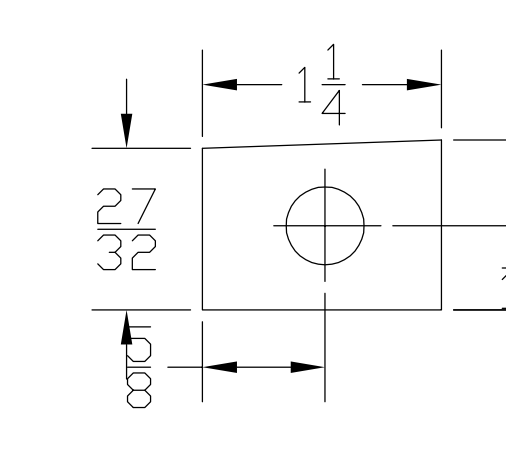


Ski template need 4 pieces made of 1/16 birch ply. overall width of ski is 1". Bottom of ski is also 1/16 birch. Use 1/4 by 1/4 reinforcement in the corners or build over foam.

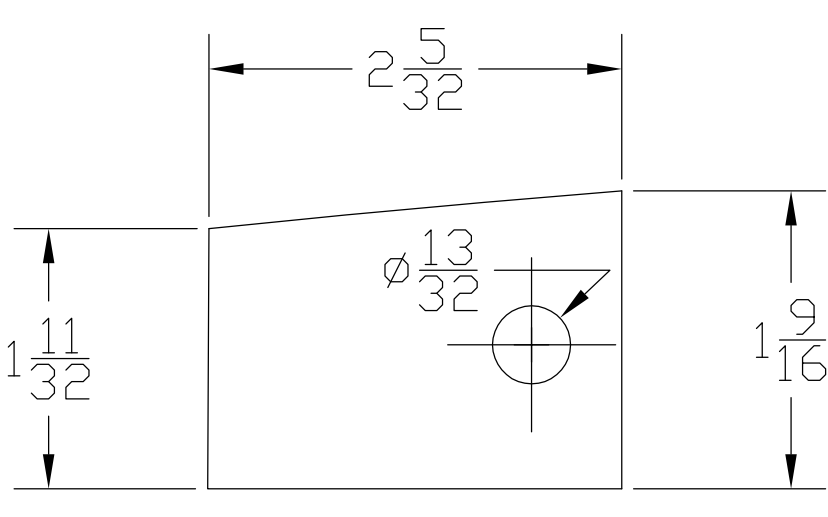
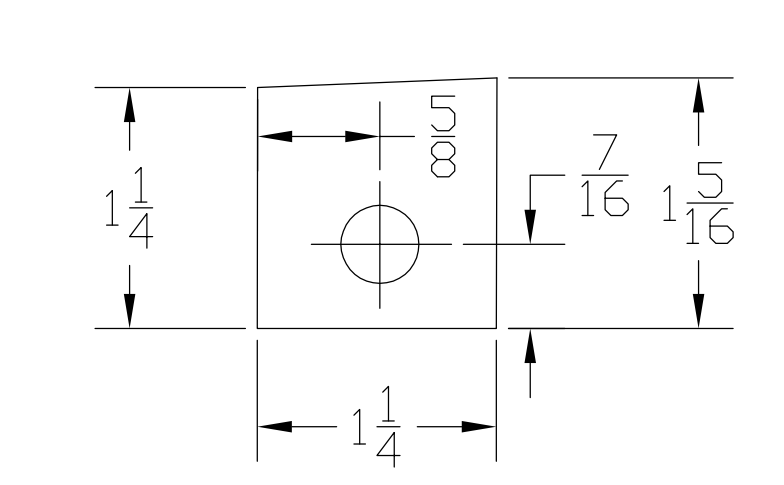
REAR BOOM SUPPORT  
3/16 BIRCH PLY  
NEED 2



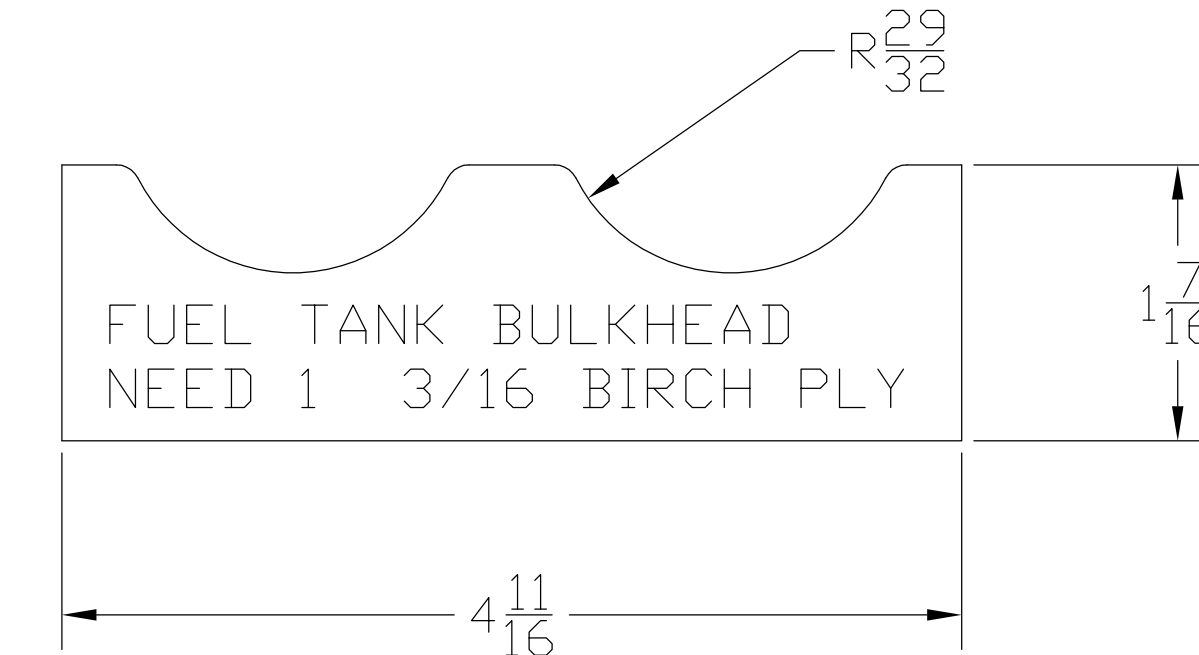
1 1 3/16  
Long Need  
2



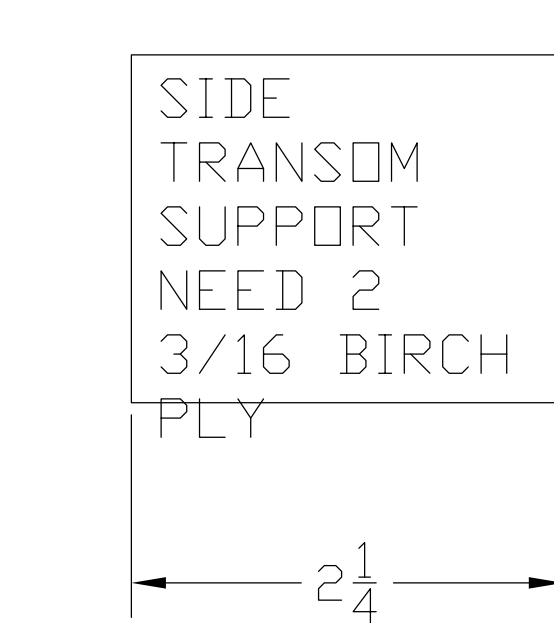
2 needed. first is  
1 1 3/16 long second  
is 1 5/16 long.  
Short side for  
turn fin sponson



FRONT NOSE AND  
BOOM SUPPORT 3/16  
BIRCH PLY NEED 2



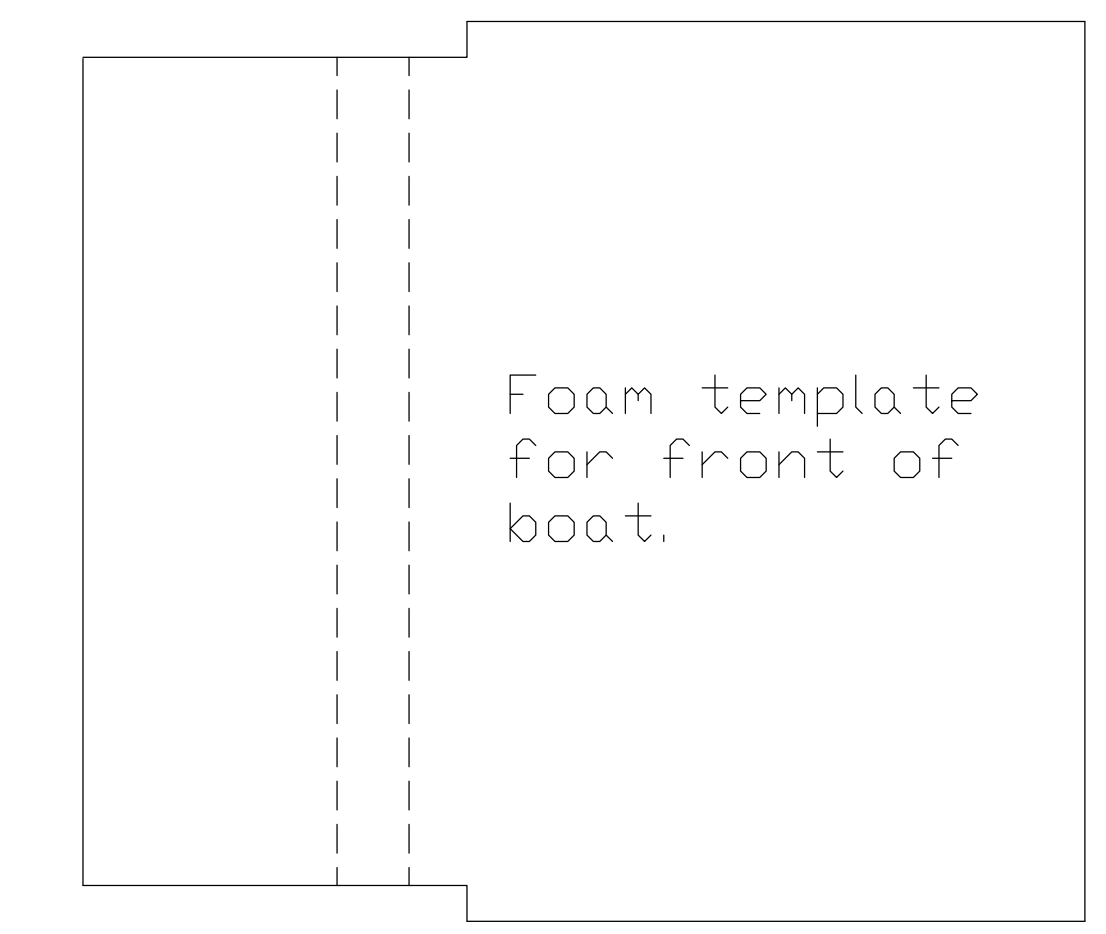
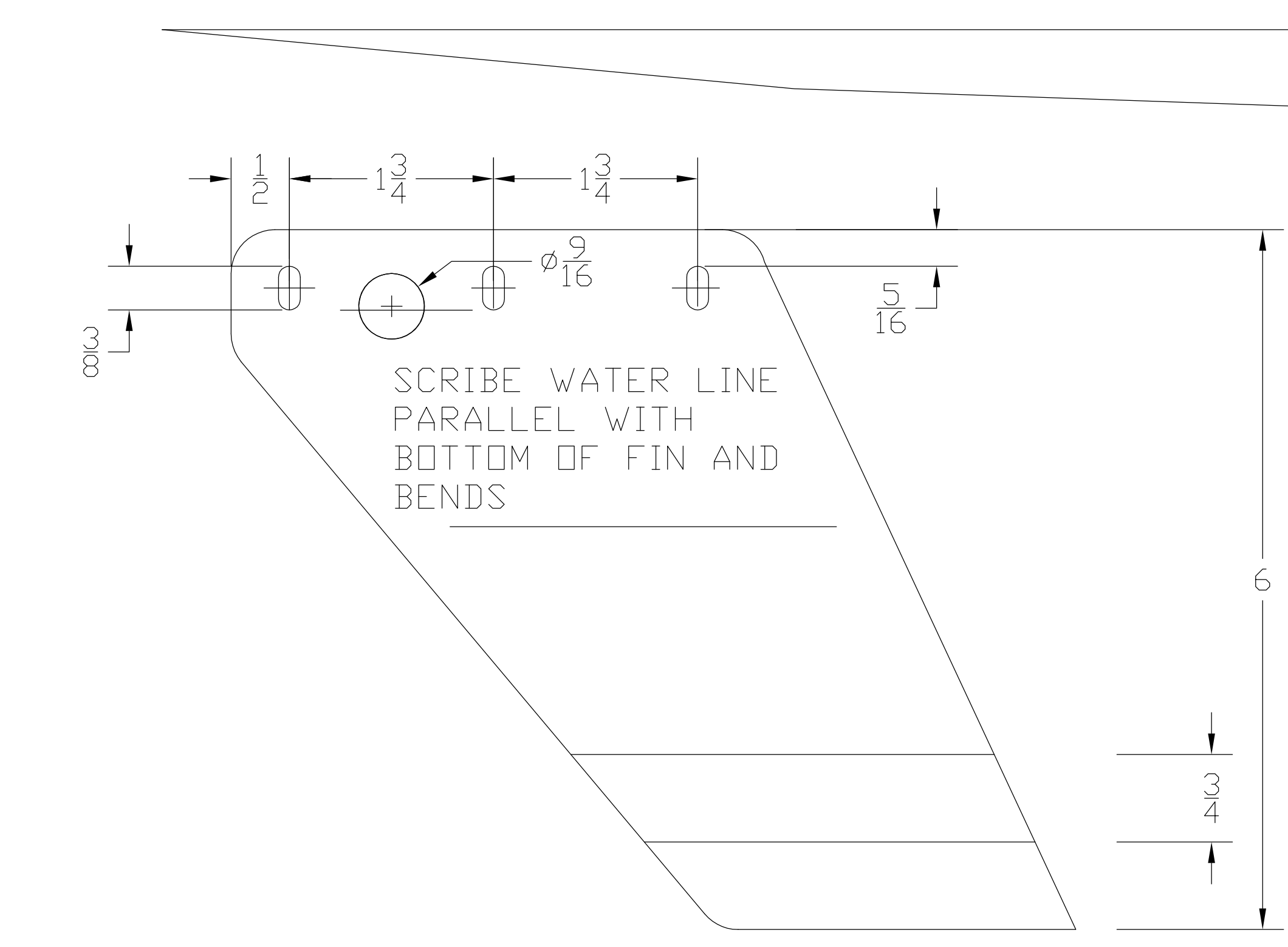
FUEL TANK BULKHEAD  
NEED 1 3/16 BIRCH PLY



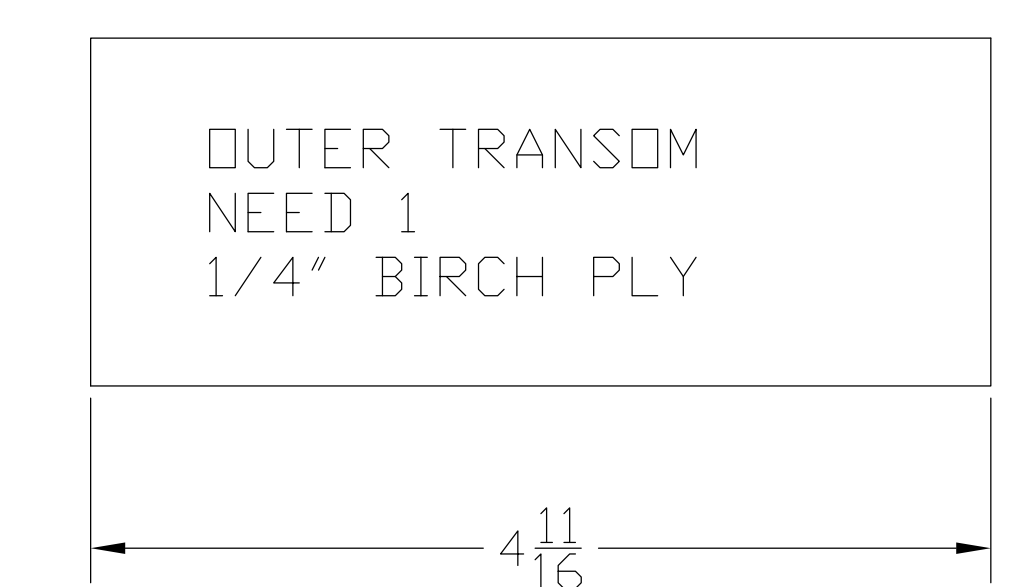
SIDE  
TRANSOM  
SUPPORT  
NEED 2  
3/16 BIRCH  
PLY



BULKHEADS  
NEED 2  
3/16 PLY



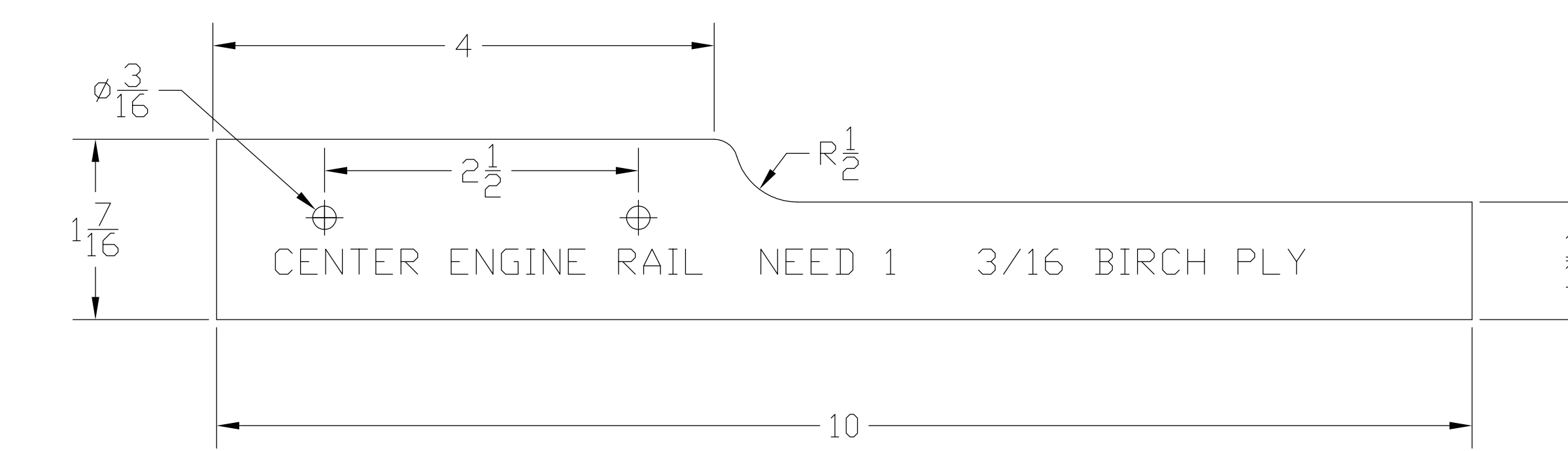
Foam template  
for front of  
boat.



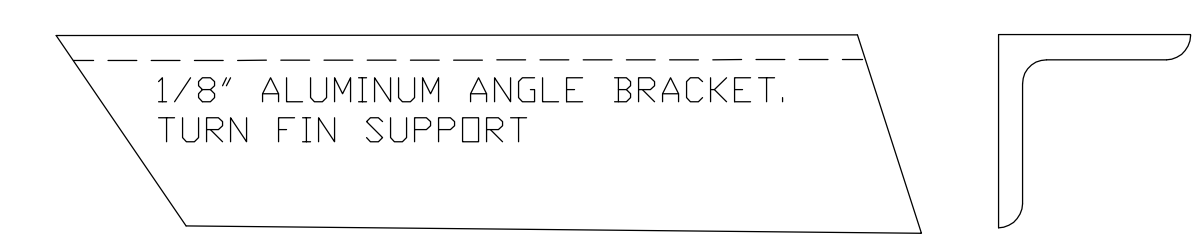
OUTER TRANSOM  
NEED 1  
1/4\"/>



INNER TRANSOM  
NEED 1  
1/4\"/>



CENTER ENGINE RAIL NEED 1 3/16 BIRCH PLY



1/8\"/>



JAE Racing Hulls 45 Twin (Heat Racing)

TEMPLATES

Design by Geraghty, Hall, Zaker, Truex Drawn by David Hall	PLOT SIZE 36x48	FSCM NO.	DWG NO.	REV
SCALE 1:1			SHEET 2	